

# CHICAGO APPROVED ALL LED EXIT/STAIR SIGN & EMERGENCY STEEL COMBO

## STANDARD



## OPTIONAL



## ILLUMINATION

- Long lasting, energy efficient white LED EXIT or STAIR sign illumination
- Two 6V 5.3W adjustable Chicago approved white LED lamp heads.

## ELECTRICAL

- Dual 120/277V standard.
- Charge rate/power "ON" LED indicator light and push-to-test switch for mandated code compliance testing.
- 6V sealed lead acid, maintenance-free, rechargeable battery.
- LVD (low voltage disconnect) prevents battery from deep discharge.
- Internal solid-state transfer switch automatically connects the internal battery to LED board and LED lamp heads for minimum 120 minute emergency illumination.
- Fully automatic solid-state, two rate charger initiates battery charging to recharge a discharged battery in 24 hours.

## MOUNTING

- Mounting canopy included for top or end mount.
- Universal knockout pattern on back plate for wall mount.

## HOUSING

- Durable, powder-coated 20-gauge steel construction in white or black finish.
- Single or double face configurations.



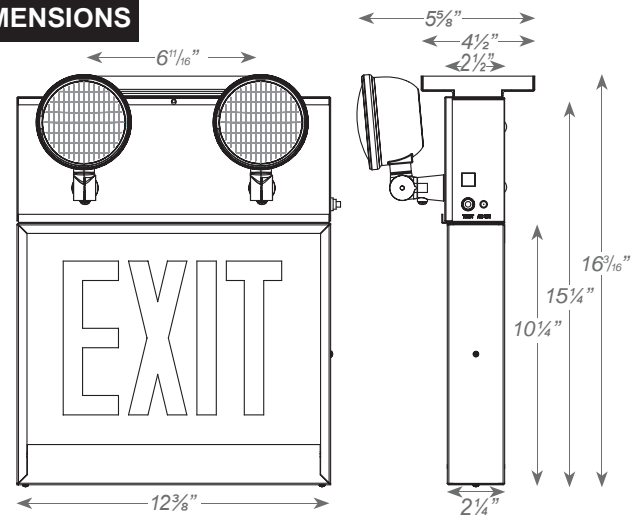
## OPTIONS

- RC: Remote capacity of up to 10.0 watts.

## WARRANTY / LISTING

- Five year warranty on all electronics and housing. Battery prorated for two years.
- Meets UL924, NFPA 101 Life Safety Code, NEC, OSHA, Local and State Codes.
- UL Listed for damp locations (20°C – 50°C).
- Meets city of Chicago requirements.

## DIMENSIONS



COMBOS